



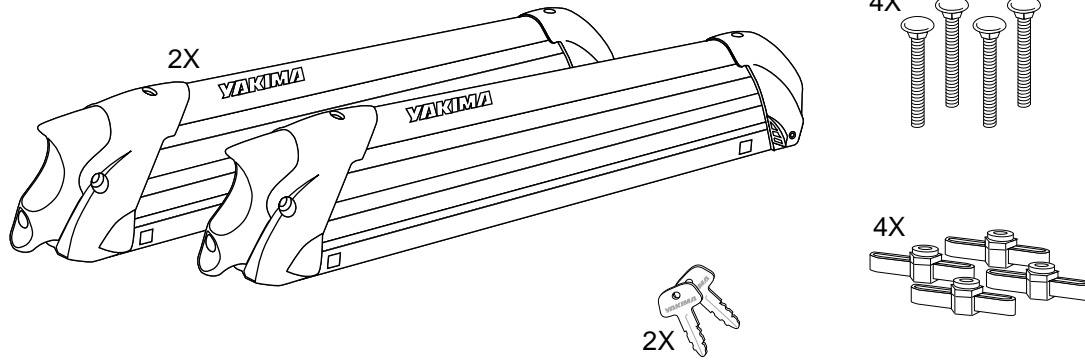
**SUBARU**

PART NUMBER: E361SAG500

**INSTALLATION  
INSTRUCTIONS**

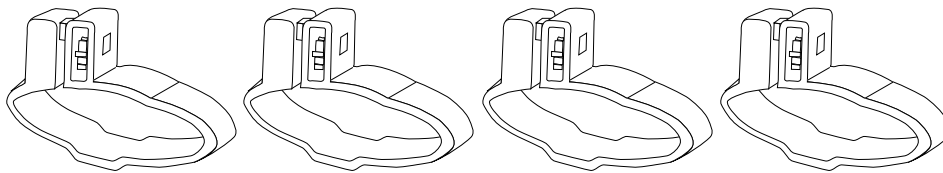
**DESCRIPTION: SKI CARRIER**

**A KIT CONTENTS:**



**MOUNTING CLAMPS**

(These are specific to your vehicle and are sold separately)



NOTICE: YOU MAY HEAR AN INCREASED LEVEL OF WIND NOISE OR WIND RUSH SOUND AS A RESULT OF INSTALLING THIS RACK ON YOUR VEHICLE. IF THE NOISE LEVEL IS OBJECTIONABLE, THE RACK SHOULD BE REMOVED AND INSTALLED ONLY WHEN UTILIZED TO TRANSPORT SOMETHING.

CAUTION: ATTACHMENT HARDWARE CAN LOOSEN OVER TIME. CHECK AND TIGHTEN IF NECESSARY, BEFORE EACH USE.

MAINTENANCE: USE NON-WATER SOLUBLE LUBRICANT ON BOLTS. USE A SOFT CLOTH WITH WATER AND MILD DETERGENT TO CLEAN PLASTIC PARTS.

AUTOMATIC CAR WASH: REMOVE RACKS BEFORE ENTERING AN AUTOMATIC CAR WASH.

RETAIN THIS INSTRUCTION SHEET FOR FUTURE REFERENCE.

IMPORTANT NOTE: THIS SKI ATTACHMENT IS DESIGNED FOR ASSEMBLY ON GENUINE SUBARU RACKS ONLY. DUE TO POSSIBLE IMPROPER FIT AND THE DANGER THAT IT MAY DETACH, INSTALLATION ON OTHER ROOF RACKS IS NOT RECOMMENDED.

1033528 Rev. B

PART NUMBER  
SPN0000689

ISSUE  
02

DATE  
10/21/08

**SUBARU OF AMERICA**

PAGE  
1/2



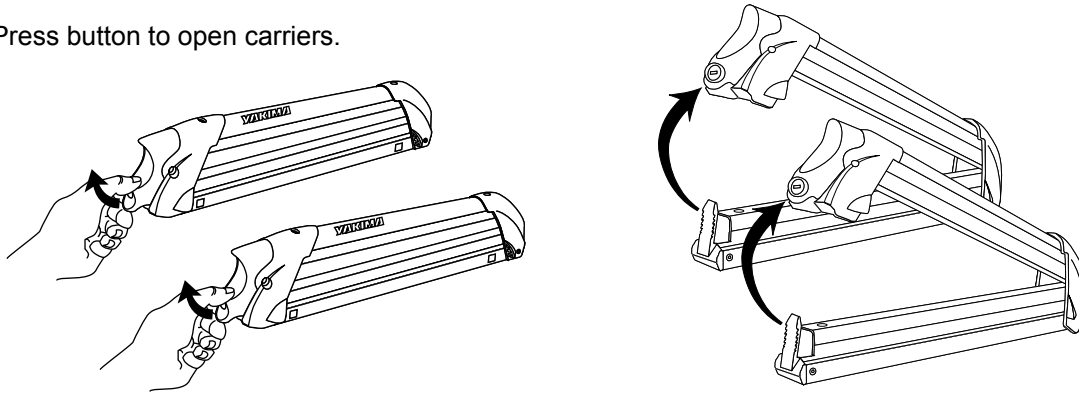
**SUBARU**

PART NUMBER: E361SAG500

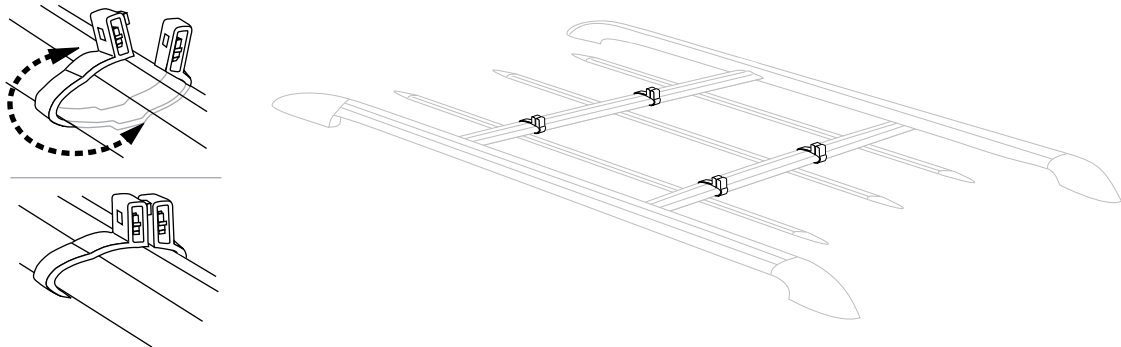
**INSTALLATION  
INSTRUCTIONS**

**DESCRIPTION: SKI CARRIER**

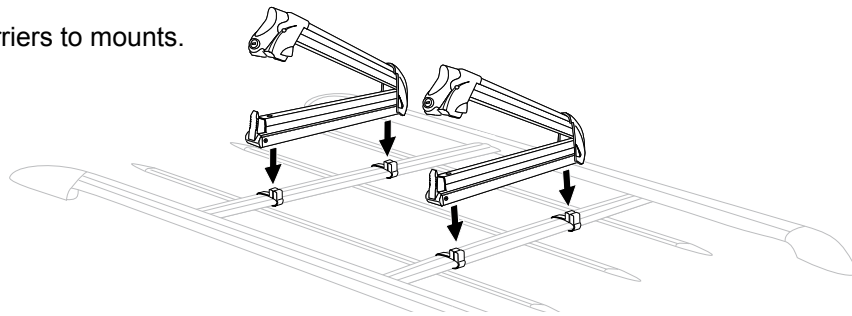
**1** Press button to open carriers.



**2** Attach mounting clamps.



**3** Attach carriers to mounts.



**4** Insert screws then install and tighten hex keys using firm resistance. Do not over tighten.

